



Superflue® Power Vent Standard Models

The Superflue® Power Vent water heater has been engineered for increased efficiency and to deliver dependable, trouble-free operation for years. The Superflue® Power Vent water heater is designed with a state-of-the-art gas control with advanced self-diagnostics for quick and easy servicing.

Safety Features

- Flammable vapour sensor detects the presence of flammable vapours and automatically disables the unit preventing their ignition
- The only flammable vapour sensor in the industry that is protected from contaminants
- Robust air intake snorkel inhibits flammable vapours from entering the sealed combustion chamber

Serviceability

- State-of-the-art modular gas control features advanced self-diagnostic capability that makes troubleshooting easy
- Relocated T&P and drain valve for ease of installation and serviceability

Water Heater Features

- Compact design – ideal as a replacement water heater and for closet installations
- Exclusive patented TankSaver® design to prolong tank life
- Convenient 3/4" side taps for combination applications on G5065S and G5065L

The Ultimate in Venting Flexibility

- All units can be vented horizontally through the wall or vertically through the roof with plastic venting pipe certified for gas-fired appliances



Meets the ANSI Z21.10.1/CSA4.1 flammable vapour ignition resistance (FVIR) standard.

Superflue® Power Vent Water Heaters

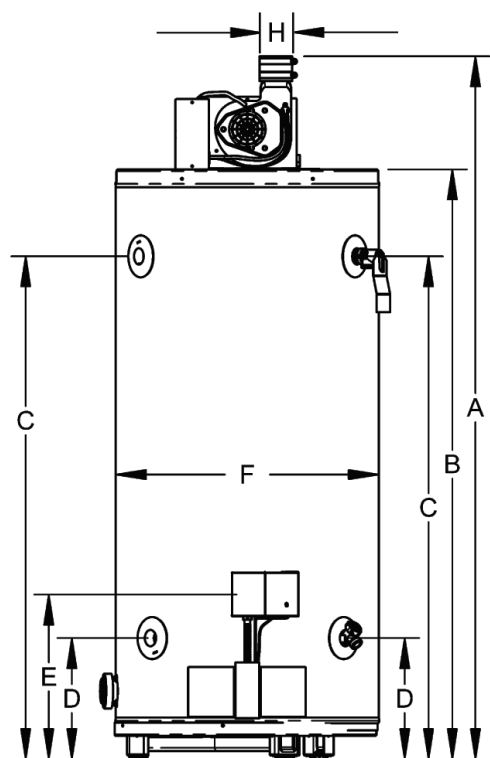
CAPACITY & PERFORMANCE

Warranty (Tank)	Natural Gas Models	Propane Models	Capacity USG (Litres)	Input BTU		Recovery @ 100°F/55°C Rise USG/h (Litres/h)	Energy Factor	Shipping Weight lb (kg)
				Natural Gas	Propane			
6	6G40NVH-ES	6G40PVH-ES	40 (151)	33,000	30,000	30 (112)	0.64	115 (70)
6	6G50NVH-ES	6G50PVH-ES	50 (189)	38,000	34,000	34 (129)	0.62	187 (85)
6	6G5065SNV-ES*	6G5065SPV-ES*	50 (189)	65,000	58,500	55 (209)	0.62	200 (90)
6	6G5065LNV-ES*	N/A	50 (189)	65,000	N/A	50 (188)	0.62	200 (90)
6	6G60NVH-ES	6G60PVH-ES	60 (227)	42,000	38,000	38 (144)	0.62	200 (90)

ROUGH-IN DIMENSIONS

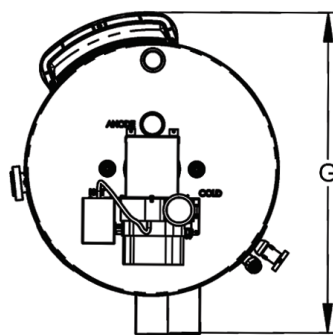
Natural Gas Models	Propane Models	Height to top of blower	Height to top of tank	Height to T&P valve & side tap	Height to drain valve & side tap	Height to gas inlet	Diameter	Overall Depth	Vent Diameter
		A in (cm)	B in (cm)	C in (cm)	D in (cm)	E in (cm)			
6G40NVH-ES	6G40PVH-ES	58 (147)	48.5 (123)	41.38 (105)	9.63 (24.4)	14.5 (37)	21.13 (54)	26 (66)	2-3 (5-7.6)
6G50NVH-ES	6G50PVH-ES	60.5 (154)	51 (129.5)	44 (111)	10.63 (27)	15.38 (39)	22.5 (57)	27.25 (69)	2-3 (5-7.6)
6G5065SNV-ES*	6G5065SPV-ES*	60.75 (154)	51.25 (130)	44.13 (112)	10.63 (27)	15.5 (39.5)	22.5 (57)	27.25 (69)	3 (7.6)
6G5065LNV-ES*	N/A	60.75 (154)	51.25 (130)	44.13 (112)	10.63 (27)	15.5 (39.5)	22.5 (57)	27.25 (69)	3 (7.6)
6G60NVH-ES	6G60PVH-ES	67.5 (171.5)	58.25 (148)	51 (129.5)	10.63 (27)	15.5 (39.5)	22.5 (57)	27.25 (69)	2-3 (5-7.6)

* side taps



MODEL	VENT PIPE SIZE (in/cm)	MINIMUM NUMBER OF ELBOWS REQUIRED*	MAXIMUM EQUIVALENT VENT LENGTH (ft./m)	MINIMUM EQUIVALENT VENT LENGTH (ft./m)
6G40NVH-ES 6G40PVH-ES 6G50NVH-ES 6G50PVH-ES 6G60NVH-ES 6G60PVH-ES	2/5.1	1	50/15.2	10.5/3.2
6G5065SNV-ES 6G5065SPV-ES 6G5065LNV-ES	3/7.6	1	80/24.3	50/15.2
6G5065SNV-ES 6G5065SPV-ES	3/7.6	1	50/15.2	11/3.4
6G5065LNV-ES	3/7.6		65/19.8	20/6.1

* Refer to installation manual for further details.
For high altitude installations, consult the installation instructions.



GSW Warranty:

All GSW residential water heaters will be replaced free of charge in the case of tank leakage within the stated warranty period from the date of installation in domestic applications, and one year in commercial applications. All parts supplied are warranted for one year. Warranty does not include labour. Consult owner's manual for complete details.

GSW Water Heating HEAD OFFICE:

599 Hill Street West
Fergus, ON, Canada N1M 2X1
Tel: 888-599-2837
Fax: 519-787-5500
E-mail: gswinfo@gsw-wh.com
www.gsw-wh.com

